

## 3 PIECES BALL VALVE Carbon Steel, Threaded, Jacketed

Carbon Steel    PN16    PN40  
V-M3P-03-04D    V-M3P-03-07D

### Design

Size : Varnasan  
Connection : BSP(DIN 259), NPT(ASME B 1.20.1)  
Actuator Connection: ISO 5211

### Technical Features

Working Pressure : PN16, PN40  
Working Temperature : -30°C / +180°C  
Usage : Option with actuator connection and handle

### Certificate

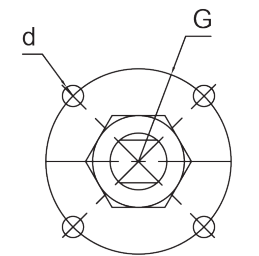
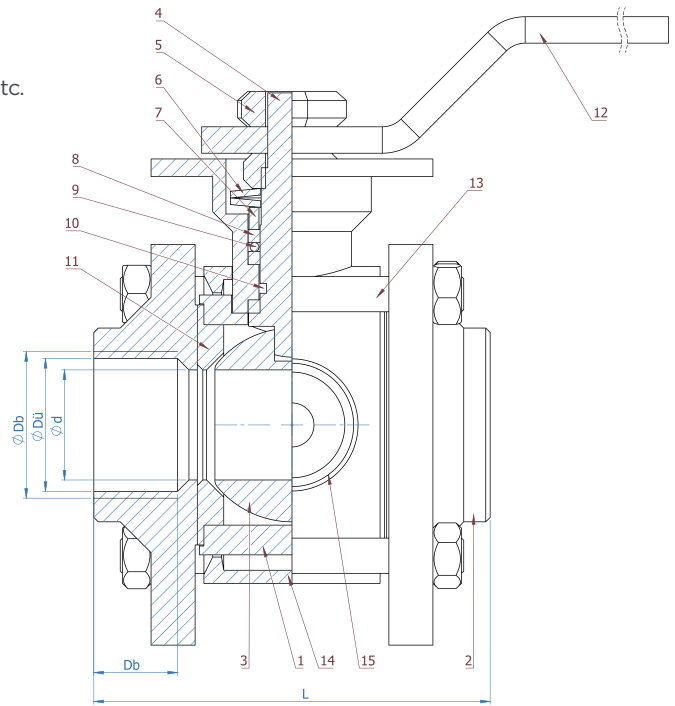
CE0408, TS EN 10204 3.1, ATEX, ADR, Fire Safe, ISO 9001:2015, SIL3

### Option

Jacket inlet sleeves 1/2" and 3/4" flanged, threaded

### Application

Hot water, cold water lines, compressed air, fuel oil, ceramic mud etc.



ACTUATOR CONNECTION

NO	PART NAME	CARBON STEEL VALVE
1	BODY	CARBON STEEL
2	COVER	CARBON STEEL
3	STEM	AISI 430
4	BALL SHAFT	AISI 430
5	LOCKINGNUT	A2 STEEL
6	BAWL WASHER	COVERING
7	COMPRESSION RING	STEEL
8	STEM SEALING ELEMENT	PTFE
9	SHAFT STEEL RING	STAINLESS
10	O-RING	VITON
11	COVER GASKET	PTFE
12	LEVER	STEEL
13	STUD	STEEL
14	JACKET	CARBON STEEL
15	SLEEVE	CARBON STEEL

TYPE	SIZE	DIMENSIONS			CONNECTIONS SIZE				ACTUATOR CONNECTIONS		
		L	Kb	H	d	Dü	Dd	Db	G	d	Kg
3PC-JACKETED-THREADED	1/2"	75	160	70	15	18.63	20.96	15	36	M5	1,25
	3/4"	80	160	75	20	24.63	26.44	16	36	M5	1,5
	1"	90	180	85	25	30.19	33.25	19	42	M5	2
	1 1/4"	110	215	100	32	38.95	41.91	21	42	M5	3
	1 1/2"	120	215	115	38	44.85	47.81	21	50	M6	4,5
	2"	140	295	125	50	56.66	59.62	25	50	M6	6
	2 1/2"	185	295	145	65	72.23	75.19	30	70	M8	9,5
	3"	205	400	155	80	84.93	87.89	33	70	M8	17
	4"	240	400	170	100	110.08	113.03	35	102	M10	26