

3 PIECES BALL VALVE Stainless Steel, Butt Weld

	PN16	PN40
AISI 304	V-M3P-04-04A	V-M3P-04-07A
AISI 316	V-M3P-05-04A	V-M3P-05-07A

Design

Size : VARNASAN
 Connection : ASME B16.11
 Actuator Connection: ISO 5211

Technical Features

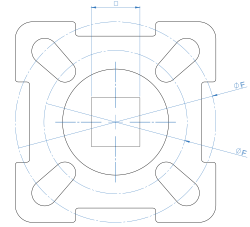
Working Pressure : PN16, PN40
 Working Temperature : -30°C / +180°C
 Usage : Option with actuator connection and handle

Certificate

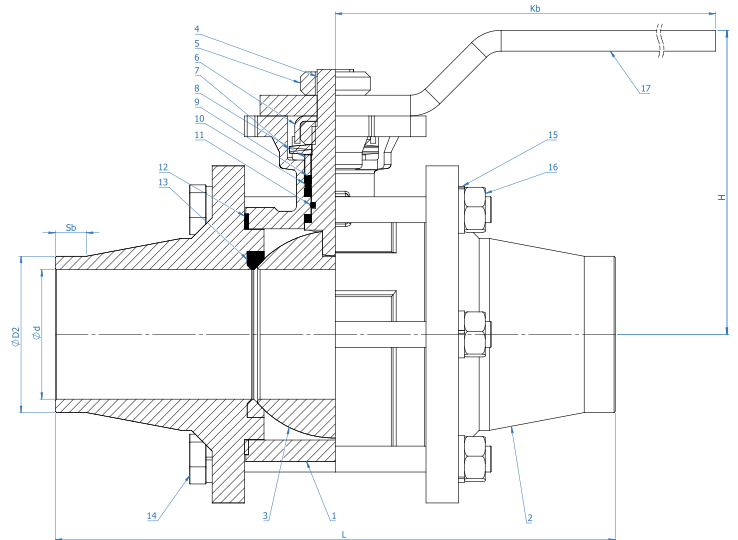
CE0408, TS EN 10204 3.1, ATEX, ADR, Fire Safe, ISO 9001:2015, SIL3

Application

Corrosive fluids (acids, bases), pharmaceutical raw materials, food, chemical industry, plastic etc.



NO	PART NAME	MATERIAL	
1	BODY	AISI 304	AISI 316
2	COVER	AISI 304	AISI 316
3	STEM	AISI 304	AISI 316
4	BALL SHAFT	AISI 304	AISI 316
5	LOCKINGNUT	A2 STAINLESS	A2 STAINLESS
6	LOCKING SHEET METAL	STAINLESS	STAINLESS
7	BAWL WASHER	COATING	COATING
8	COMPRESSION RIN	STAINLESS	STAINLESS
9	STEM SEALING ELEMENT	PTFE	PTFE
10	METAL RING	STAINLESS	STAINLESS
11	O-RING	VITON	VITON
12	COVER GASKET	PTFE	PTFE
13	BALL GASKET	PTFE	PTFE
14	STUD	STAINLESS	STAINLESS
15	SPRING WASHER	STAINLESS	STAINLESS
16	NUT	A2 STAINLESS	A2 STAINLESS
17	LEVER	AISI 304	AISI 304



SIZE	DIMENSIONS			CONNECTION SIZES/ PN40			ACTUATOR CONNECTION		
	DN	L	Kb	H	d	D2	Sb	F	Q
DN15	80	160	80	15	21.3	10	F03 - F04	9	1.1
DN20	80	160	80	20	26.7	13	F03 - F04	9	1.3
DN25	90	180	90	25	33.4	13	F04 - F05	11	2.3
DN32	110	180	100	32	42.2	13	F04 - F05	11	3.7
DN40	120	290	110	40	48.3	13	F05 - F07	14	5.2
DN50	140	290	120	50	60.3	16	F05 - F07	14	7.9