

3 WAY L TYPE BALL VALVE Carbon Steel, Threaded

Carbon Steel PN16 V-M3L-03-04D PN40 V-M3L-03-07D

Design

Size : Varnasan
Connection : BSP (DIN259), NPT (ASME B 1.20.1)
Actuator Connection: ISO 5211

Technical Features

Working Pressure : PN16, PN40
Working Temperature : -30°C / +180°C
Usage : Aktüatör bağlantılı ve kollu opsiyon

Certificate

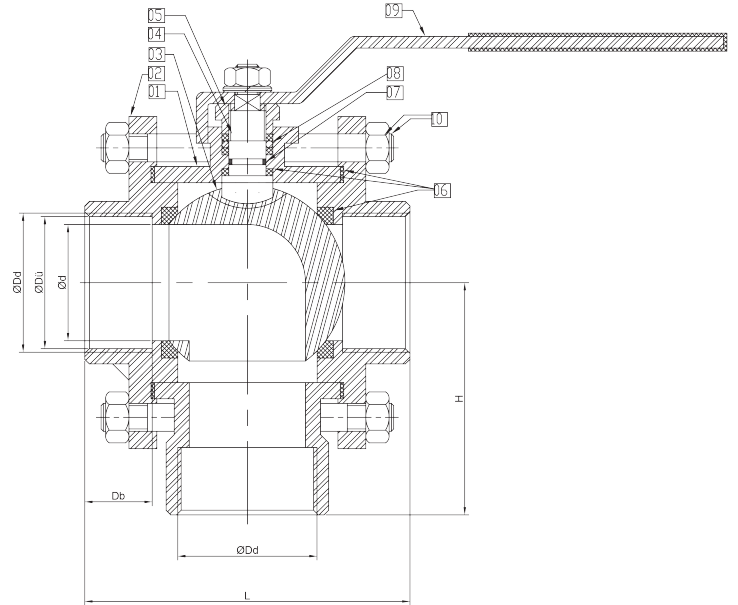
CE0408, TS EN 10204 3.1, ATEX, ADR, Fire Safe, ISO 9001:2015, SIL3

Application

Hot water, cold water lines, compressed air, fuel oil, ceramic mud etc.



NO	PART NAME	CARBON STEEL VALVE
1	BODY	CARBON STEEL
2	COVER	CARBON STEEL
3	STEM	AISI 430
4	BALL SHAFT	AISI 430
5	LOCKINGNUT	A2 STAINLESS
6	BAWL WASHER	COATING
7	COMPRESSION RING	STAINLESS
8	STEM SEALING ELEMENT	PTFE
9	METAL RING	STAINLESS
10	ORING	VITON
11	COVER GASKET	PTFE
12	LEVER	STEEL
13	STUD	STEEL



TYPE	SIZE	DIMENSIONS			CONNECTION SIZES				ACTUATOR CONNECTION		
		L	Kb	H	DN	Dü	Dd	Db	G	d	Kg
3PC - VKV THREADED	1/2"	75	160	50	15	18.63	20.96	15	36	M5	1,25
	3/4"	80	160	60	20	24.63	26.44	16	36	M5	1,5
	1"	90	180	65	25	30.19	33.25	19	42	M5	2
	1 1/4"	110	215	80	32	38.95	41.91	21	42	M5	3
	1 1/2"	120	215	85	40	44.85	47.81	21	50	M6	4,5
	2"	140	295	100	50	56.66	59.62	25	50	M6	6
	2 1/2"	185	295	125	65	72.23	75.19	30	70	M8	9,5
	3"	205	400	160	80	84.93	87.89	33	70	M8	17
	4"	240	400	175	100	110.08	113.03	35	102	M10	26

