

3 WAY L TYPE BALL VALVE Stainless Steel, Threaded

	PN16	PN40
AISI 304	V-M3L-04-04D	V-M3L-04-07D
AISI 316	V-M3L-05-04D	V-M3L-05-07D

Design

Size : Varnasan
 Connection : BSP (DIN 259), NPT(ASME B1.20.1)
 Actuator Connection: ISO 5211

Technical Features

Working Pressure : PN16, PN40
 Working Temperature : -30°C / +180°C
 Usage : Option with actuator connection and handle

Certificate

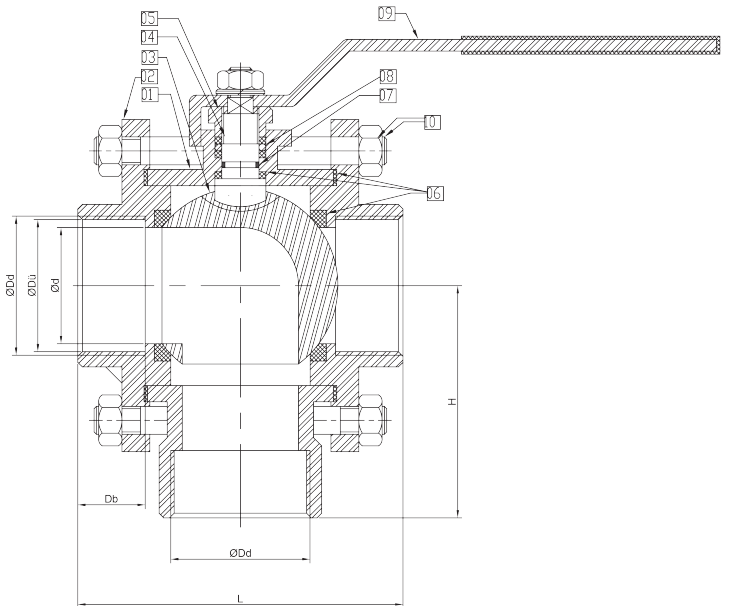
CE0408, TS EN 10204 3.1, ATEX, ADR, Fire Safe, ISO 9001:2015, SIL3

Application

Corrosive fluids (acids, bases), pharmaceutical raw materials, food, chemical industry, plastic etc.



NO	PART NAME	STAINLESS STEEL VALVE	
1	BODY	AISI 304	AISI 316
2	COVER	AISI 304	AISI 316
3	KÜRE	AISI 304	AISI 316
4	BALL SHAFT	AISI 304	AISI 316
5	COMPRESSION RING	A2 STAINLESS	
6	STEM SEALING ELEMENT	COATING	
7	COMPRESSION RING	STAINLESS	
8	STEM SEALING ELEMENT	PTFE	
9	METAL RING	STAINLESS	
10	O-RING	VITON	
11	COVER GASKET	PTFE	
12	LEVER	AISI 304	
13	STUD	STAINLESS	



TYPE	SIZE	DIMENSIONS			CONNECTION SIZES				ACTUATOR CONNECTION		
		L	Kb	H	DN	Dü	Dd	Db	G	d	Kg
3PC - VKV - THREADED	1/2"	75	160	50	15	18.63	20.96	15	36	M5	1,25
	3/4"	80	160	60	20	24.63	26.44	16	36	M5	1,5
	1"	90	180	65	25	30.19	33.25	19	42	M5	2
	1 1/4"	110	215	80	32	38.95	41.91	21	42	M5	3
	1 1/2"	120	215	85	40	44.85	47.81	21	50	M6	4,5
	2"	140	295	100	50	56.66	59.62	25	50	M6	6
	2 1/2"	185	295	125	65	72.23	75.19	30	70	M8	9,5
	3"	205	400	160	80	84.93	87.89	33	70	M8	17
	4"	240	400	175	100	110.08	113.03	35	102	M10	26

