

3 WAY T TYPE BALL VALVE Carbon Steel, Threaded

Carbon Steel PN16 PN40
 V-M3P-03-04A V-M3P-03-07A
 V-MT2-03-04D V-MT2-03-07D

Design

Size : VARNASAN
 Connection : BSP(DIN 259), NPT (ASME B 1.20.1)
 Actuator Connection: ISO 5211

Technical Features

Working Pressure : PN16, PN40
 Working Temperature : -30°C / +180°C
 Usage : Option with actuator connection and handle

Certificate

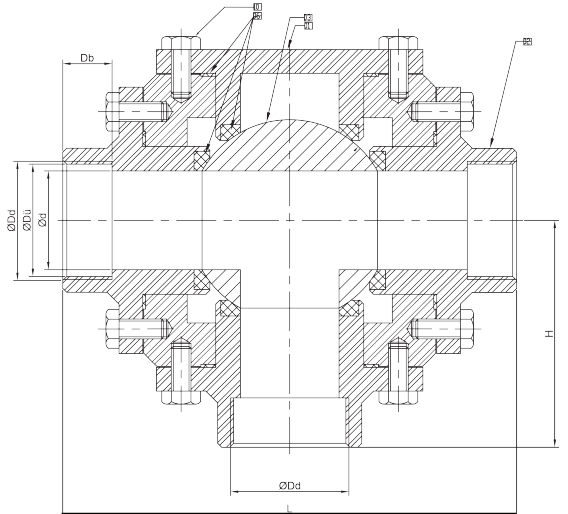
CE0408, TS EN 10204 3.1, ATEX, ADR, Fire Safe, ISO 9001:2015, SIL3

Application

Hot water, cold water lines, compressed air, fuel oil, ceramic mud etc.

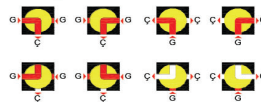


NO	PART NAME	CARBON STEEL VALVE
1	BODY	CARBON STEEL
2	COVER	CARBON STEEL
3	STEM	AISI 430
4	BALL SHAFT	AISI 430
5	LOCKINGNUT	A2 STAINLESS
6	BAWL WASHER	COATING
7	COMPRESSION RING	STAINLESS
8	STEM SEALING ELEMENT	PTFE
9	METAL RING	STAINLESS
10	O-RING	VITON
11	COVER GASKET	PTFE
12	LEVER	STEEL
13	STUD	STEEL

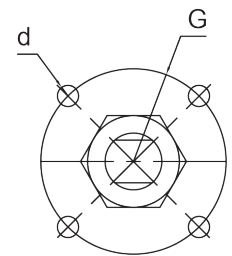
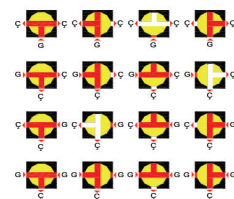


TYPE	SIZE	DIMENSIONS			CONNECTION SIZES				ACTUATOR CONNECTION		
		L	Kb	H	DN	Dü	Dd	Db	G	d	Kg
3 WAY-THREADED	1/2"	120	160	60	15	18.63	20.96	15	36	M5	1,25
	3/4"	140	160	70	20	24.63	26.44	16	36	M5	1,5
	1"	170	180	85	25	30.19	33.25	19	42	M5	2
	1 1/4"	180	215	90	32	38.95	41.91	21	42	M5	3
	1 1/2"	190	215	95	40	44.85	47.81	21	50	M6	4,5
	2"	230	295	115	50	56.66	59.62	25	50	M6	6
	2 1/2"	260	295	130	65	72.23	75.19	30	70	M8	9,5
	3"	295	400	147	80	84.93	87.89	33	70	M8	17
	4"	320	400	160	100	110.08	113.03	35	102	M10	26

SERIE 1/BALL MOVEMENT



SERIE 2/BALL MOVEMENT



ACTUATOR CONNECTION