

BI-DIRECTIONAL SEAL KNIFE GATE VALVE BV SERIES

General Features

Working Pressure : DN50-DN100 16bar DN600-DN650 5bar
 DN125-DN200 16bar DN700-DN750 4bar
 DN250-DN300 12Bar DN800-DN900 3bar
 DN350-DN400 10bar DN1000 2bar
 DN450-DN550 8bar

Type : Wafer
 Design Standard : MSS SP-81
 Flange Standard : BS PN10/PN16
 Face to Face : MSS SP-81
 Testing Standard : API-598
 Operation : Handwheel, gear box, electric, pneumatic, hydraulic, sprocket
 Main Material : GGG40
 Wedge Material : SS316L, SS304
 Sealing Material : EPDM
 Packing : Aramid fiber, high-water-based rubber packing graphite wheel

Applicable Medium : Applicable for coal in power plant, slag discharge, sewage treatment, food, paper making, medicine, petroleum and chemical industry, water, Oil, steam, connecting or cutting grout, gold powder, ores, slag, coal, pulp, wood pulp, tailings, fibers, dust, chemicals, sewage treatment, sedimentation tanks, asphalt, bunker export, fruit juices, cereals, slaughter plant waste and other media.

Features

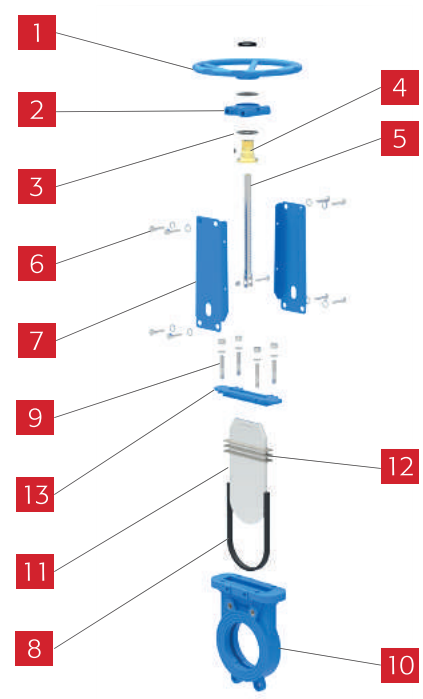
- Bi-directional seal
- 1PC Body design
- Full port design
- Reduce Fluid retention in valve body
- 2PC Strong yoke design
- Mixed with a variety of materials packing

Product Description

BV Series No groove bi-directional seal knife gate valve, cast iron body with the over all structure knife gate valve, including valve body, gate, and U-shaped flexible seal at the bottom of the body with grooves. When the valve is closed, the bottom of the gate edge contact with the seal and then compress the seal into the groove in the body and sealed gate realization; when the gate opens, separate gate from the bottom edge of the seal, seal will bounce to same level as groove, which will prevent the media sediment accumulated in the body cavity of the groove, no clogging, no residue, pipe easy to clean, so as to effectively improve the sealing effect knife gate valve to prevent leakage when the valve is closed.

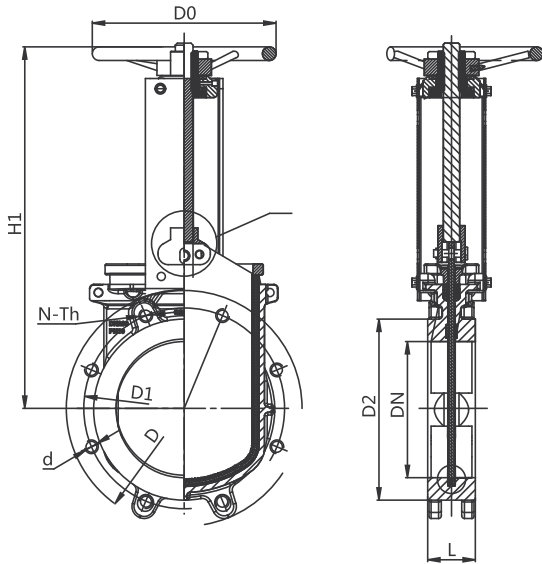
NO	NAME	MATERIAL	QTY
1	Hand wheel	GGG40	1
2	Yoke Head	GGG40	1
3	Bearing	Gcr15	2
4	Stem Nut	Brass	1
5	Stem	2Cr13/SS304/SS316	1
6	Bolt & Nut	SS201/SS304	N
7	Yoke	Q235	2
8	Seat	EPDM	1
9	Bolt & Nut	Fe+Zn/SS304	N
10	Body	GGG40	1
11	Disc	SS304/SS316L	1
12	Packing	PTFE	3-5
13	Packing Gland	WCB	1

*electric, pneumatic, hydraulic, sprocket, electro-hydraulic, gear available



BI-DIRECTIONAL SEAL KNIFE GATE VALVE BV SERIES

Dimension

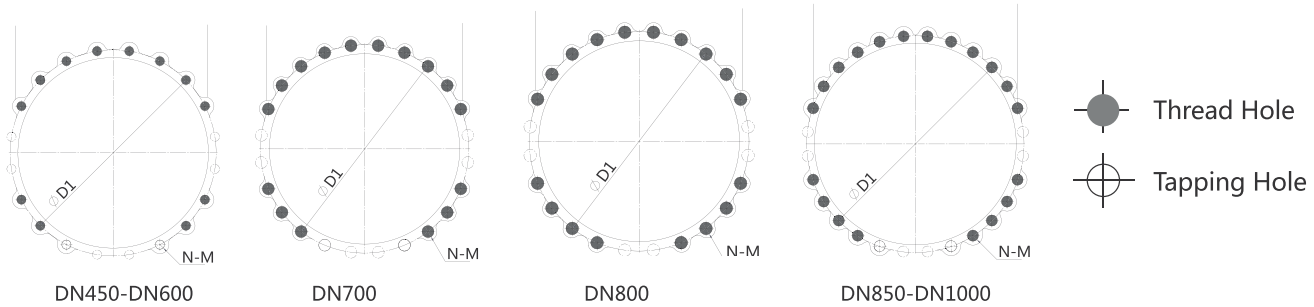
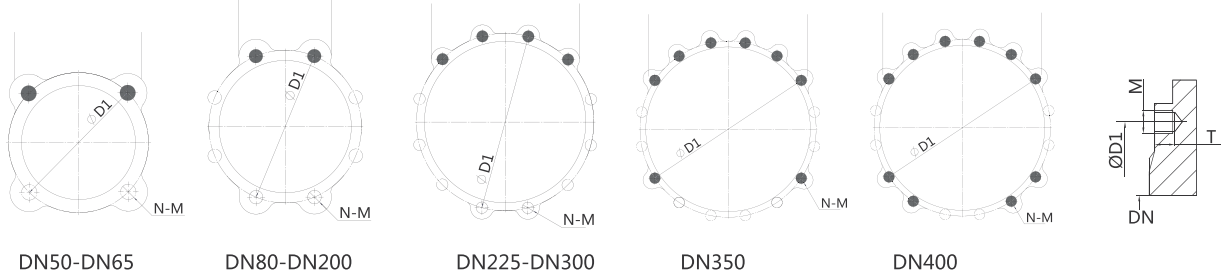


PN10								
DN	L	D	D1	D2	D0	N-Th	d	H1
50	48	165	125	99	180	4-M16	Ø18	290
65	48	185	145	118	200	4-M16	Ø18	330
80	51	200	160	132	200	8-M16	Ø18	358
100	51	220	180	156	240	8-M16	Ø18	378
125	57	250	210	184	260	8-M16	Ø18	428
150	57	285	240	211	280	8-M20	Ø23	490
175	57	305	265	237	280	12-M20	Ø23	553
200	70	340	295	266	300	8-M20	Ø23	588
250	70	395	350	319	320	12-M20	Ø23	690
300	76	445	400	370	350	12-M20	Ø23	815
350	76	505	460	429	400	16-M20	Ø23	890
400	89	565	515	480	450	16-M24	Ø27	980
450	89	615	565	530	500	20-M24	Ø27	1025
500	114	670	620	582	500	20-M24	Ø27	1230
550	114	725	680	638	-	20-M27	Ø30	1344
600	114	780	725	682	-	20-M27	Ø30	1390
700	127	895	840	794	-	24-M27	Ø30	1720
800	127	1015	950	901	-	24-M30	Ø33	1862
900	127	1115	1050	1001	-	28-M30	Ø33	1910
1000	149	1230	1160	1112	-	28-M33	Ø36	Gear
1100	149	1340	1260	1220	-	28-M33	Ø36	Gear
1200	156	1455	1380	1328	-	32-M36	Ø39	Gear

ANSI 150LB								
DN	L	D	D1	D2	D0	N-Th	d	H1
2"	48	152	121	92	180	4-5/8"	Ø19	260
2-1/2"	48	178	140	105	200	4-5/8"	Ø19	292
3"	51	191	153	127	200	4-5/8"	Ø19	320
4"	51	229	191	157	240	8-5/8"	Ø19	358
5"	57	254	216	186	260	8-3/4"	Ø22	395
6"	57	279	242	216	280	8-3/4"	Ø22	450
8"	70	343	299	270	300	8-3/4"	Ø22	532
10"	70	406	362	324	320	12-7/8"	Ø25	670
12"	76	483	432	381	350	12-7/8"	Ø25	758
14"	76	533	476	413	400	12-1"	Ø29	857
16"	89	597	540	470	450	16-1"	Ø29	946
18"	89	635	578	533	500	16-1 1/8"	Ø32	1023
20"	114	699	635	584	500	20-1 1/8"	Ø32	Gear
22"	114	750	692	641	-	20-1 1/4"	Ø35	Gear
24"	114	813	750	691	-	20-1 1/4"	Ø35	Gear
26"	114	870	806	749	-	24-1 1/4"	Ø35	Gear
28"	127	927	864	800	-	28-1 1/4"	Ø35	Gear
30"	127	985	914	857	-	28-1 1/4"	Ø35	Gear
32"	127	1060	978	914	-	28-1 1/2"	Ø41	Gear
34"	127	1110	1029	965	-	32-1 1/2"	Ø41	Gear
36"	127	1170	1086	1022	-	32-1 1/2"	Ø41	Gear
38"	149	1240	1149	1073	-	32-1 1/2"	Ø41	Gear
40"	149	1290	1200	1124	-	36-1 1/2"	Ø41	Gear
42"	149	1345	1257	1194	-	36-1 1/2"	Ø41	Gear
44"	149	1405	1314	1245	-	40-1 1/2"	Ø41	Gear
46"	149	1455	1365	1295	-	40-1 1/2"	Ø41	Gear
48"	156	1510	1422	1359	-	44-1 1/2"	Ø41	Gear
50"	156	1570	1480	1410	-	44-1 3/4"	Ø51	Gear
52"	156	1625	1537	1461	-	44-1 3/4"	Ø51	Gear
54"	171	1685	1594	1511	-	44-1 3/4"	Ø51	Gear
56"	171	1745	1651	1575	-	48-1 3/4"	Ø51	Gear

BI-DIRECTIONAL SEAL KNIFE GATE VALVE BV SERIES

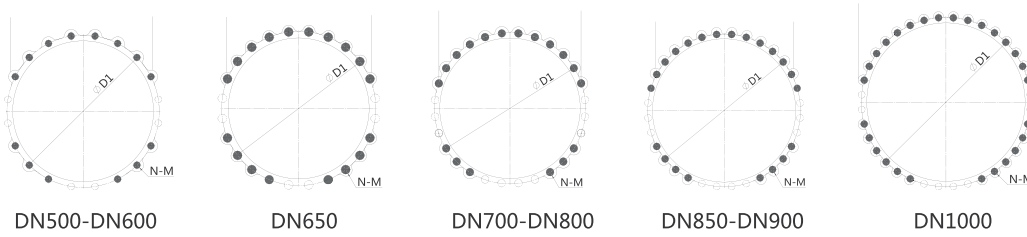
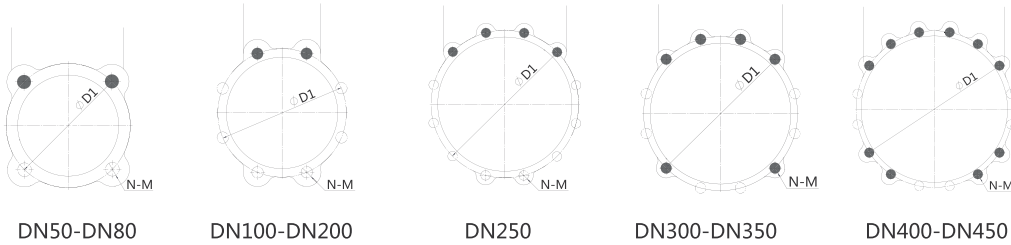
PN10 Threaded hole and Tapping hole



PN10						
DN	D1	N	M	T	Thread Hole	Tapping Hole
50	125	4	M16	13	2	2
65	145	4	M16	13	2	2
80	160	8	M16	13	2	6
100	180	8	M16	13	2	6
125	210	8	M16	16	2	6
150	240	8	M16	16	2	6
200	295	8	M20	20	2	6
225	310	12	M20	20	4	8
250	350	12	M20	20	4	8
300	400	12	M20	20	4	8
350	460	16	M20	20	8	8
400	515	16	M24	24	10	6
450	565	20	M24	24	12	8
500	620	20	M24	24	12	8
550	680	20	M27	24	12	8
600	725	20	M27	27	12	8
700	840	24	M27	27	16	8
800	950	24	M30	30	18	6
900	1050	28	M30	30	20	8
1000	1160	28	M33	33	20	8

BI-DIRECTIONAL SEAL KNIFE GATE VALVE BV SERIES

150LB Threaded hole and Tapping hole



ANSI 150LB						
DN	D1	N	M	T	Thread Hole	Tapping Hole
2"(DN50)	121	4	M5/8-11	13	2	2
2-1/2"(DN65)	140	4	M5/8-11	13	2	2
3"(DN80)	153	4	M5/8-11	13	2	2
4"(DN100)	191	8	M5/8-11	13	2	6
5"(DN125)	216	8	M3/4-10	16	2	6
6"(DN150)	242	8	M3/4-10	16	2	6
8"(DN200)	299	8	M3/4-10	20	2	6
10"(DN250)	362	12	M7/8-9	20	4	8
12"(DN300)	432	12	M7/8-9	20	6	6
14"(DN350)	476	12	M1-8	20	6	6
16"(DN400)	540	16	M1-8	24	10	6
18"(DN450)	578	16	M1 1/8-7	24	10	6
20"(DN500)	635	20	M1 1/8-7	24	14	6
22"(DN550)	692	20	M1 1/4-7	24	14	6
24"(DN600)	750	20	M1 1/4-7	27	14	6
26"(DN650)	806	24	M1 1/4-7	27	18	6
28"(DN700)	864	28	M1 1/4-7	27	18	10
30"(DN750)	914	28	M1 1/4-7	27	18	10
32"(DN800)	978	28	M1 1/2-6	30	18	10
34"(DN850)	1029	32	M1 1/2-6	30	22	10
36"(DN900)	1086	32	M1 1/2-6	30	22	10
40"(DN1000)	1200	36	M1 1/2-6	33	28	8