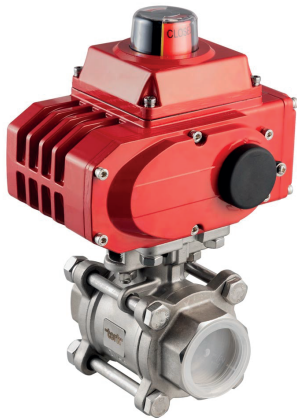
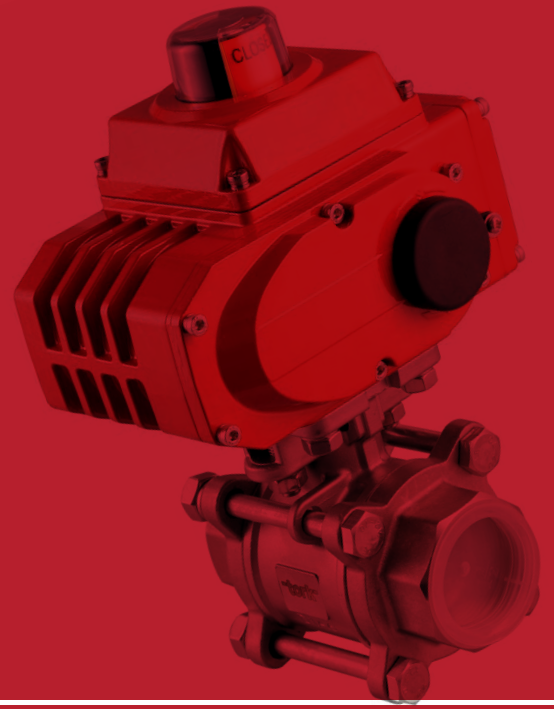


## ELECTRIC ACTUATED STAINLESS STEEL BALL VALVE



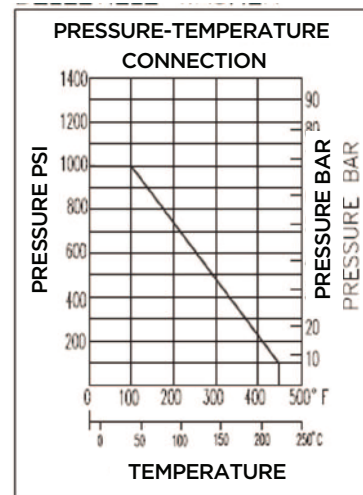
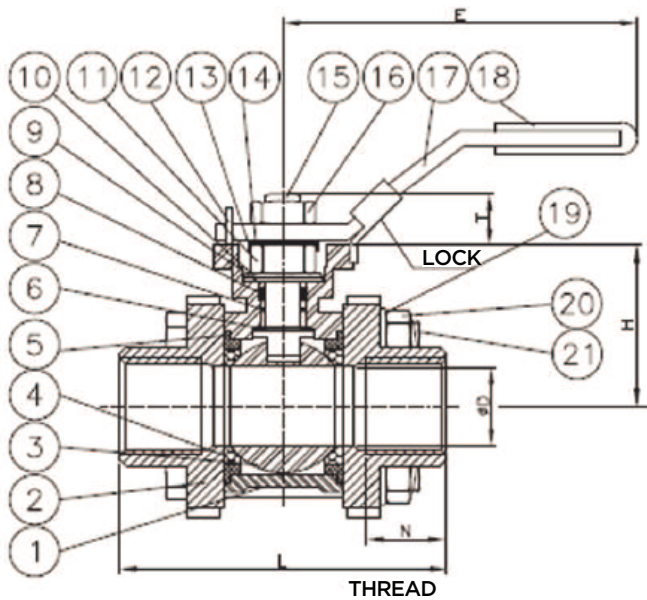
### Ball Valve Details

Body	: SS316
Disc	: SS316
Cover Flange	: ISO5211
Connection Standard	: B2.1 BS21 1973 DIN 259/2999 NPT
Working Pressure	: PN 63 bar (1/2" ..1/4"), 50 bar (1/2" ...4")
Way	: 2/2
Size	: 1/2" ..... 3"
Applications	: • Chemical Industry • For acids and chemical controls • For purpose of drain and stopper at the end of the line • Treatment plants • Stainless Steel Resistant Fluid Types
Sealing	: PTFE

### Electric Actuator Details

Type	: On-off
Protection Class	: IP68
Dehumidification	: 5 W Heater Against Humidity
Working Voltage	: 220VAC, 24VDC
Working Temperature	: -30°C...+60°C
Torque Range	: 50Nm...100 Nm
Body	: Aluminium Casting
Valve Connection	: Suitable for specified connection dimensions of ISO 5211
Position Indicator	: Open / Close
Alternative Operation	: Manual Handle

## ► BALL VALVE SIZE



SIZE		Ø D	L±2	H	E±3	T	S	Ø D1	L1±2	ISO 5211		N	KV VALUES
DN	INCH									Ø K1	Ø K2		
15	1/2"	15	75	38.0	140	9	9	21.8	70	F03	F04	20.0	9.7
20	3/4"	20	80	47.0	140	9	9	27.2	85	F03	F04	21.0	18.2
25	1"	25	90	57.2	154	11	11	34.0	95	F04	F05	21.0	30.3
32	1-1/4"	32	110	62.5	154	11	11	42.7	110	F04	F05	27.5	49.3
40	1-1/2"	38	120	77.5	184	14	14	48.8	120	F05	F07	26.5	69.2
50	2"	50	162	86.5	184	14	14	61.2	142	F05	F07	31.0	129.7
65	2-1/2"	65	162	108.0	261	17	17	74.0	168	F07	F10	28.0	229.2
80	3"	80	184	115.0	261	17	17	90.0	182	F07	F10	33.5	358.9
100	4"	100	228	141.0	337	22	22	115.6	227	F10	F12	41.0	674.6

Ball Valve Code : Tork-KV.903

Electric Actuated Ball Valve Code : EAV-903