

## SAFETY VALVES

### Stainless Steel, Threaded

Vs-EMV-TKLŞ-Di-PÇ-304 / Vs-EMV-TKLŞ-Di-PÇ-316

#### Design

Size : VARNASAN  
 Connection : BSP(DIN 259), NPT(ASME B 1.20.1)

#### Technical Features

Working Pressure : PN16, PN40  
 Working Temperature : -30°C / +180°C  
 Material : Stainless Steel

#### Certificate

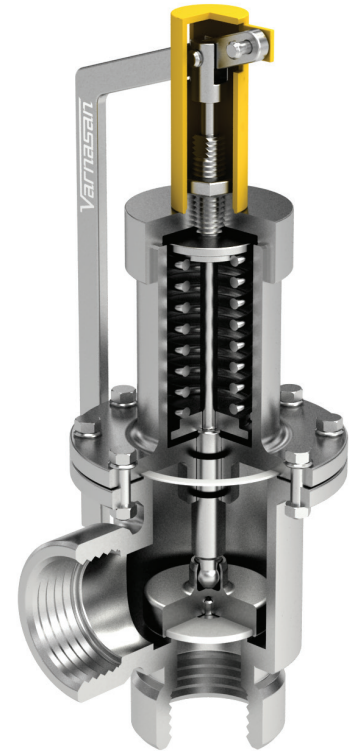
CE0042, TS EN 10204 3.1

#### Application

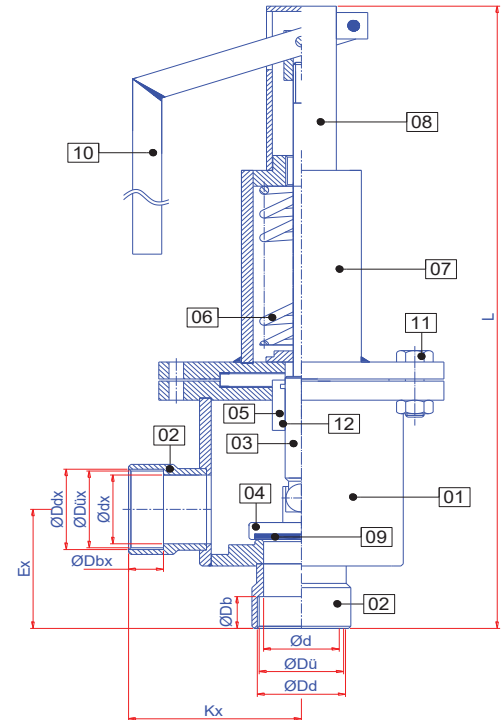
Corrosive fluid, pharmaceutical raw materials, food, plastic etc.

#### Working Pressure

DN15 - DN65 : 4 - 16 Bar  
 DN80 - DN100 : 16 - 20 Bar  
 Max. : 20 Bar



NO	PART NAME	STAINLESS STEEL
1	BODY	AISI316/AISI304
2	CAP	AISI316/AISI304
3	SHAFT	AISI316/AISI304
4	DISC	AISI316/AISI304
5	BALL SHAFT	AISI316/AISI304
6	SPRING	SPRING STEEL
7	UPPER BODY	AISI316/AISI304
8	UPPER COVER	AISI316/AISI304
9	DISC SEAT	PTFE
10	VALVE HANDLE	AISI304
11	CONNECTION ELEMENT	A2 STEEL
12	O-RING	VITON



TYPE	INPUT		OUTPUT				Ex	Kx				
	DN	L	ØD	ØDb	ØDü	ØDd						
SAFETY VALVES STAINLESS STEEL - THREADED	1/2"-1"	356	15	18	18,63	20,96	25	20	30,29	33,25	57	65
	3/4"-1 1/4"	372	20	18	24,16	26,44	32	24	38,95	41,91	61	70
	1"-1 1/2"	430	25	20	30,29	33,25	40	24	44,85	47,81	74	85
	1 1/4"-2"	445	32	24	38,95	41,91	50	29	56,66	59,62	80	95
	1 1/2"-2 1/2"	448	40	24	44,85	47,81	65	30	72,23	75,19	82	100
	2"-3"	560	50	165	56,66	59,62	80	33	84,93	87,89	84	120