

## MONOBLOCKED BALL VALVE Stainless Steel

PN16                      PN40  
 AISI 304                V-MMB04-04F    V-MMB04-07F  
 AISI 316                V-MMB05-04F    V-MMB05-07F

### Design

Size : VARNASAN  
 Connection : EN 1092-1  
 Actuator Connection: ISO 5211

### Technical Features

Working Pressure : PN16, PN40 ops.  
 Working Temperature : -30°C / +180°C  
 Usage : Option with actuator connection and handle

### Certificate

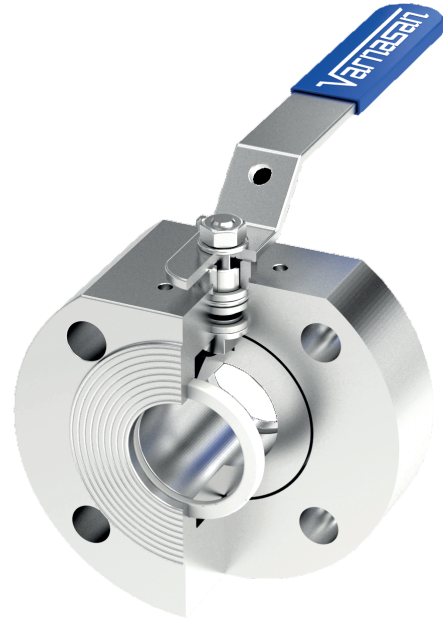
CE0408, TS EN 10204 3.1, ATEX, ADR, Fire Safe, ISO 9001:2015, SIL3

### Option

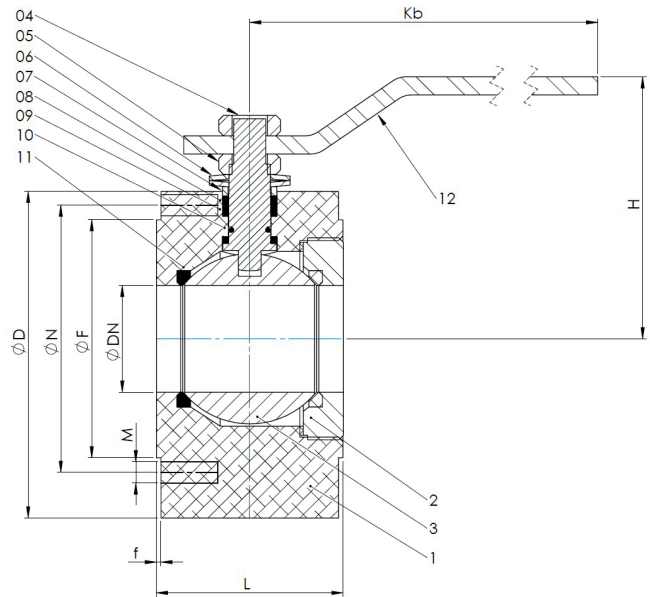
Firesafe, direct actuator connection option

### Application

Corrosive fluids (acids, bases), pharmaceutical raw materials, food, chemical industry, plastic



NO	PART NAME	STAINLESS STEEL VALVE	
1	BODY	AISI 304	AISI 316
2	COVER	AISI 304	AISI 316
3	STEM	AISI 304	AISI 316
4	BALL SHAFT	AISI 304	AISI 316
5	LOCKINGNUT	A2 STAINLESS	
6	BAWL WASHER	COATING	
7	COMPRESSION RING	STAINLESS	
8	STEM SEALING ELEMENT	PTFE	
9	METAL RING	STAINLESS	
10	O-RING	VITON	
11	COVER GASKET	PTFE	
12	LEVER	AISI 304	
13	SEAL	STAINLESS	



TYPE	SIZE	DIMENSIONS				CONNECTION SIZES PN16					CONNECTION SIZES PN40					ACTUATOR CONNECTION		
		DN	L	Kb	H	f	D	N	M	F	MN	D	N	M	F	MN	G	d
MONOBLOCKED	DN 15	40	160	67,5	2	95	65	12	60	4	95	65	12	67	4	36	M5	2
	DN 20	42	160	67,5	2	105	75	12	70	4	105	75	12	83	4	36	M5	2,5
	DN 25	46	180	81	2	115	85	12	80	4	115	85	12	89	4	42	M5	4
	DN 32	58	215	86	2	140	100	16	89	4	140	100	16	98	4	42	M5	6
	DN 40	66	215	100	2	150	110	16	98	4	150	110	16	114	4	50	M6	9
	DN 50	82	295	107	3	165	125	16	121	4	165	125	16	127	4	50	M6	12
	DN 65	104	295	130	3	185	145	16	140	4	185	145	16	149	8	70	M8	17
	DN 80	120	400	155	3	200	160	16	152	8	200	160	16	168	8	70	M8	22
	DN 100	140	400	170	3	220	180	16	191	8	235	190	22	200	8	102	M10	38
	DN 125	195	400	234	3	220	180	16	191	8	270	190	24	200	8	102	M10	70
	DN 150	210	650	252	3	220	180	20	191	8	300	190	24	200	8	125	M12	76
	DN 200	290	800	260	3	220	180	20	191	8	375	190	27	200	12	125	M12	208

