



## PNEUMATIC ACTUATED BUTTERFLY VALVE



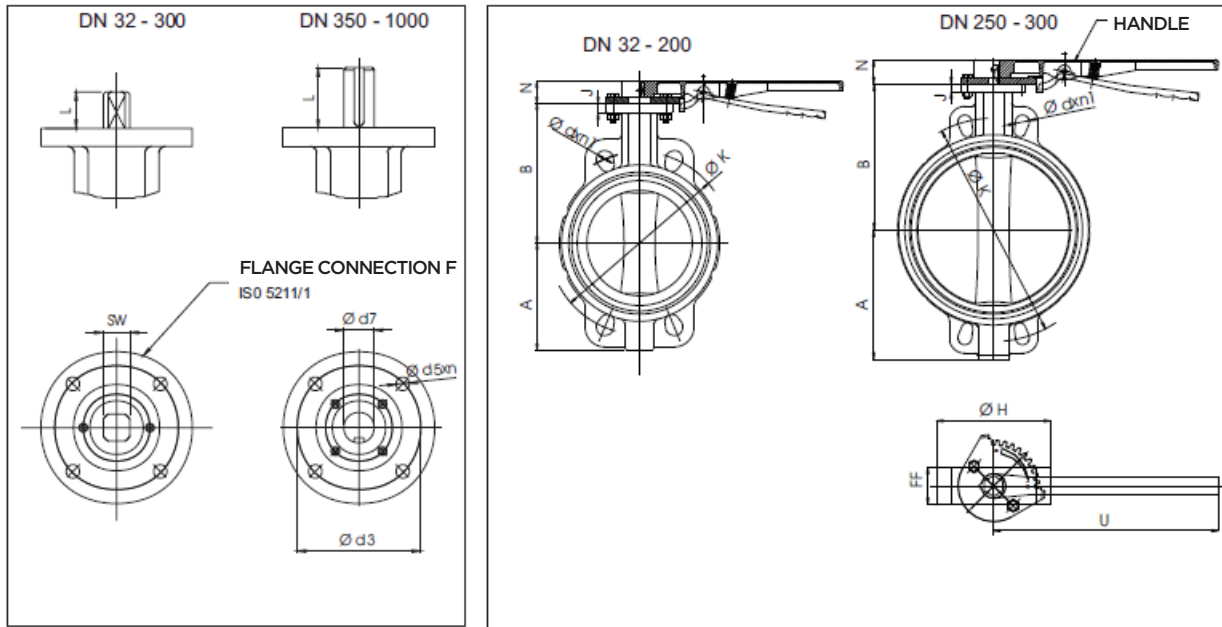
### Butterfly Valve Details

Body	: GG25 epoxy coated
Disc	: 316SS
Working Pressure	: PN 6, PN 10, PN 16
Flange Connection	: PN 6, PN 10, PN 16
Cover Flange	: ISO 5211
Norm	: EN 558-1/20
Test Standard	: EN 12266-1
Valve Type	: Wafer Type
Way	: 2/2
Size	: DN50...DN300
Applications	: • Liquid flow control • For purpose of drain and stopper at the end of the line • Treatment plants
Sealing	: NBR, EPDM, Viton, Silicon

### Pneumatic Actuator Details:

Type	: Single acting, Double Acting
Position	: 2 Positions
Angle of Rotation	: 90°
Protection Class	: IP65, IP68
ATEX Protection Class	: II 2GDc T4
Working Pressure	: 4...8 Bar
Working Temperature	: -20°C...+80°C
Torque Range	: 12Nm...80 Nm
Body	: Aluminium Extrusion
Strok Adjustment	: ± 5°
Accessories	: Switch Box, Namur Valve, Positioner, Manual Override
Fluid Control	: On/Off, Proportional
Valve Connection	: ISO 5211
Accessories Connections	: Namur standards

## ► BUTTERFLY VALVE SIZES



Butterfly Valve Code

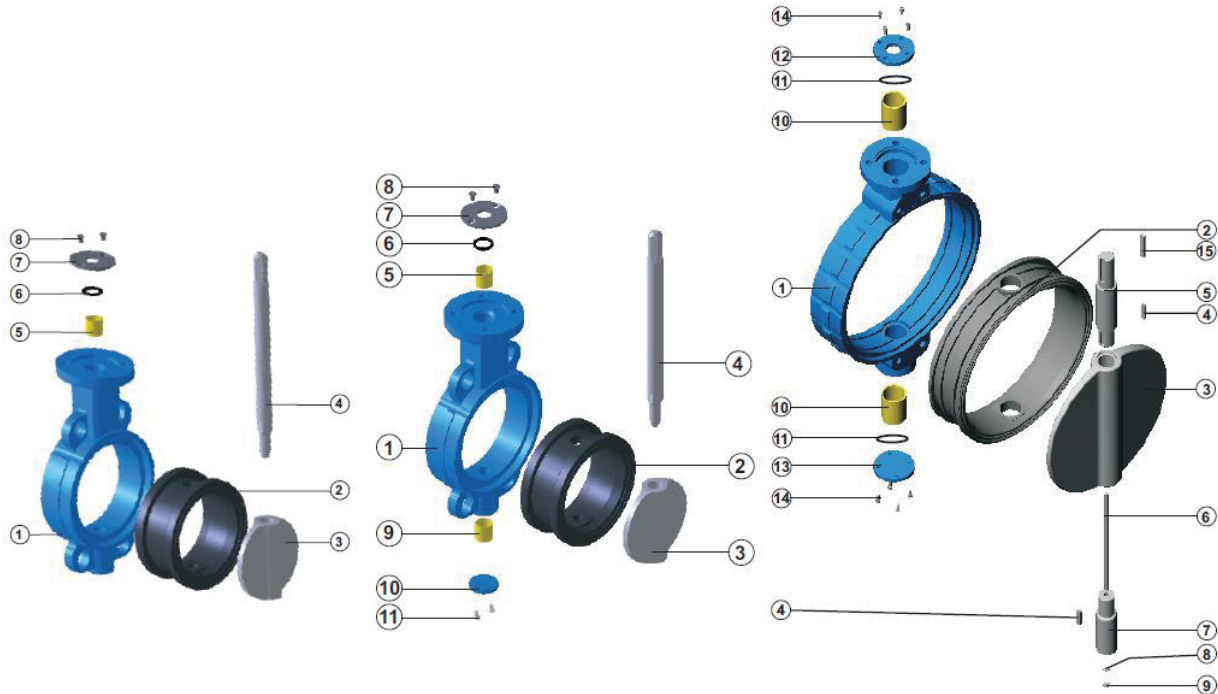
: Tork-KV.W1120

Double Acting Actuated Butterfly Valve Code : PAV-802.DA

Single Acting Actuated Butterfly Valve Code : PAV-802.SR

DN	A	B	FF	Ø H	J	M	N	U	W	Ø T	F	Ø d5xn	□ SW Ø d7	L	Ø d3	PN 10			PN 16		
																Ø K	Ø d	n1	Ø K	Ø d	n1
Ø 32	62	96	40	87	13	50	37	220	159	200	05	7x4	□ 9	20	50	100	Ø 18	4	100	Ø 18	4
Ø 40	62	96	40	87	13	50	37	220	159	200	05	7x4	□ 9	20	50	110	Ø 18	4	110	Ø 18	4
Ø 50	67	108	43	100	13	50	37	220	159	200	05	7x4	□ 9	20	50	125	Ø 18	4	125	Ø 18	4
Ø 65	80	127	46	123	13	50	37	220	159	200	07	9x4	□ 11	20	70	145	Ø 18	4	145	Ø 18	4
Ø 80	99	132	46	137	14	50	37	260	159	200	07	9x4	□ 4	20	70	160	Ø 18	8	160	Ø 18	8
Ø 100	110	155	52	156	14	50	37	260	159	200	07	9x4	□ 14	20	70	180	Ø 18	8	180	Ø 18	8
Ø 125	123	158	56	187	14	50	37	260	159	200	07	9x4	□ 14	20	70	210	Ø 18	8	210	Ø 18	8
Ø 150	141	185	56	212	14	50	37	350	159	200	07	9x4	□ 17	22	70	240	Ø 22	8	240	Ø 22	8
Ø 200	174	213	60	265	15	50	37	350	159	200	07	9x4	□ 17	22	70	295	Ø 22	8	295	Ø 22	12
Ø 250	208	245	68	319	15	75	47	400	238	260	10	11x4	□ 22	32	102	350	Ø 22	12	355	Ø 26	12
Ø 300	250	282	78	372	15	75	47	400	238	260	10	11x4	□ 27	32	102	400	Ø 22	12	410	Ø 26	12
Ø 350	300	318	78/92	436	28	102	-	-	315	400	14	17.5x4	Ø 36	75	140	460	M 20	16	470	M 24	16
Ø 400	326	362	102	492	28	102	-	-	315	400	14	17.5x4	Ø 36	75	140	515	M 24	16	525	M 27	16
Ø 450	365	410	114	540	26	102	-	-	315	400	16	22x4	Ø 45	92	165	565	M 24	20	585	M 27	20
Ø 500	408	435	127	600	26	102	-	-	315	550	16	22x4	Ø 45	92	165	620	M 24	20	650	M 30	20
Ø 600	482	519	154	700	26	102	-	-	315	600	16	22x4	Ø 60	92	165	725	M 27	20	770	M 33	20
Ø 700	543	548	165	775	30	135	-	-	414	700	25	18x8	Ø 68	118	254	840	M 27	24	840	M 33	24
Ø 800	587	587	180/190	885	30	135	-	-	414	800	25	18x8	Ø 80	118	254	950	M 30	24	950	M 36	24
Ø 900	655	661	190/203	1010	35	225	-	-	525	550	30	22x8	Ø 80	200	298	1050	M 30	28	1050	M 36	28
Ø 1000	735	725	216	1110	35	225	-	-	525	550	30	22x8	Ø 100	200	298	1160	M 33	28	1170	M 39	28

## ► BUTTERFLY VALVE MATERIAL



### Ø 40 - 200

P. NO	PART NAME	MATERIAL TYPE
1	Body	GG 25, GGG 40-50, GGG 40.3, Al-Bz AISI 316, GS-C25
2	Seat	EPDM, NBR, Viton, Hypalon, Neopren, NR, Silicon
3	Disc	AISI 316, Al-Bz, GGG 40-50, GS - C25, UB 6
4	Shaft	AISI 304, AISI 316, AISI 420
5	Bearing	SB (Carbon Steel + PTFE)
6	O-Ring	NBR
7	Stamp	St - 37, A-2
8	Screw	8.8, A-2

### Ø 250 - 300

P. NO	PART NAME	MATERIAL TYPE
1	Body	GG 25, GGG 40-50, GGG 40.3, Al-Bz AISI 316, GS-C25
2	Seat	EPDM, NBR, Viton, Hypalon, Neopren, NR, Silicon
3	Disc	AISI 316, Al-Bz, GGG 40-50, GS - C25, UB 6
4	Shaft	AISI 304, AISI 316, AISI 420
5	Bearing	SB (Carbon Steel + PTFE)
6	O-Ring	NBR
7	Stamp	St - 37, A-2
8	Screw	8.8, A-2
9	Bearing	SB (Carbon Steel+ PTFE)
10	Bottom Cap	St - 37
11	Screw	8.8, A-2

### Ø 350 - 1000

P. NO	PART NAME	MATERIAL TYPE
1	Body	GG 25, GGG 40-50, GGG 40.3, Al-Bz AISI 316, GS-C25
2	Seat	EPDM, NBR, Viton, Hypalon, Neopren, NR, Silicon
3	Disc	AISI 316, Al-Bz, GGG 40-50, GS - C25, UB 6
4	Key	C 45 k
5	Upper Shaft	AISI 304, AISI 316, AISI 420
6	Middle Shaft	AISI 304, AISI 316, AISI 420
7	Bottom Shaft	AISI 304, AISI 316, AISI 420
8	Stamp	St - 37, A-2
9	Nut	6.8, A-2
10	Bearing	SB (Carbon Steel + PTFE)
11	O-Ring	EPDM, NBR
12	Upper cap	C 45
13	Bottom Cap	C 45
14	Screw	8.8, A-2
15	Key	C 45 k