

## SEGMENT BALL VALVE

### Design

Size Range : DN25 - DN500  
 Actuator Connection : ISO 5211

### Technical Features

Working Pressure : PN16, 25, 40 ANSI150, 300, 600  
 Working Temperature : -29°C / + 220°C (Optional +300°C)

### Certificate

ISO9001 & CE Accredited

### Flange Type

Face to Face : ISA S75.04, IEC/DIN 534-3-2

### Seal Tightness

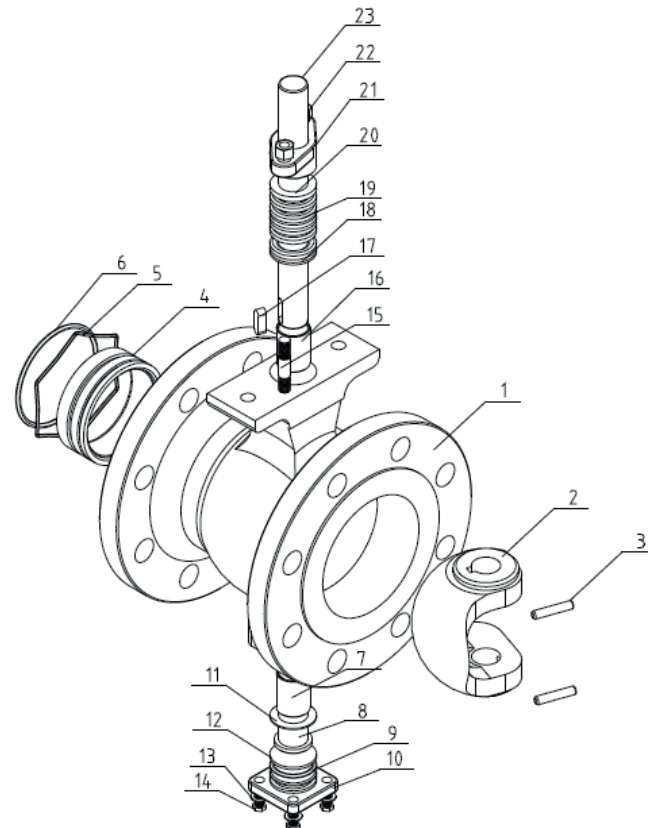
Metal Seat : Class V (standard), Class VI  
 (with Tungsten Carbide coated trim)  
 Soft Conta : Class VI  
 Valve Trim Rotation : Clockwise to close  
 Flow Characteristic : Equal Percentage

### Application

Pulp and paper, waste water treatment, food and beverage, chemical plants, power plants, steel industry, etc.

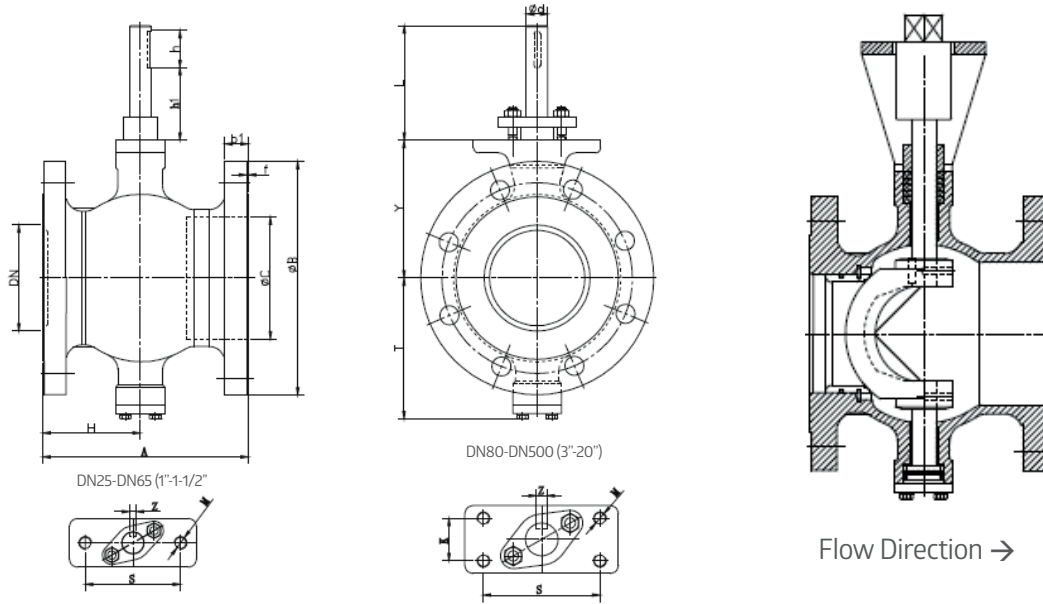


NO	PART NAME	WCB	CF8	CF8M
1	BODY	WCB	CF8	CF8M
2	V-PORT SEGMENT	CF8+HCr	CF8+HCr	CF8M+HCr
3	PIN	304	304	316
4	SEAT	304+STL	304+STL	316+STL
5	SPRING		316L	
6	O-RING		VITON	
7	BEARING	304+PTFE	304+PTFE	316+PTFE
8	LOWER STEM	304	304	316
9	O-RING		VITON	
10	PACKING GLAND	WCB	CF8	CF8M
11	GASKET		PTFE	
12	GASKET		PTFE	
13	WASHER	Q235	304	316
14	BOLT	25	304	304
15	BOLT	25	304	304
16	BEARING	304+PTFE	304+PTFE	316+PTFE
17	KEY	304	304	316
18	PACKING		PTFE or Graphite	
19	PACKING		PTFE or Graphite	
20	PACKING		PTFE or Graphite	
21	PACKING GLAND	WCB	CF8	CF8M
22	NUT	Q235	304	304
23	UPPER STEM	304	304	316



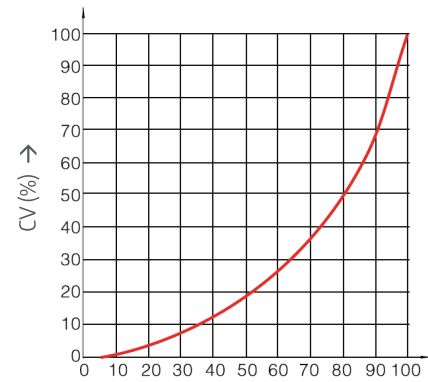
## SEGMENT BALL VALVE

### Dimension



### Flow Characteristic

DN	A	B	b1	f	C	T	Y	L	d	H	S	K	M	Z	Weight (kg)
DN25	102	115	16	2	38	81	73	75	16	35	75	/	2-M10	5	4.9
DN32	102	140	18	2	45	86	78	75	16	35	75	/	2-M10	5	6.6
DN40	114	150	18	2	50	90	80	75	16	35	75	/	2-M10	5	7.6
DN50	124	165	20	2	62	93	90	75	16	35	75	/	2-M10	5	9.5
DN65	145	185	20	2	73	108	105	75	16	35	75	/	2-M10	5	12.4
DN80	165	200	20	2	90	123	118	75	20	35	90	28	4-M10	6	15.5
DN100	194	220	22	2	115	138	130	75	20	35	90	28	4-M10	6	20.6
DN125	194	250	22	2	134	148	145	80	25	40	90	28	4-M10	8	28.6
DN150	229	285	24	2	164	170	170	94	30	50	110	40	4-M10	8	42.5
DN200	243	340	24	2	206	200	201	94	30	50	110	40	4-M12	8	59.5
DN250	297	405	26	2	260	240	237	98	40	60	135	40	4-M12	12	99
DN300	338	460	28	2	316	286	282	98	40	60	135	40	4-M16	12	148
DN350	400	520	30	2	372	330	337	125	50	60	140	64	4-M16	14	216
DN400	400	580	32	2	420	367	372	172	60	80	170	80	4-M16	18	285
DN450	520	640	40	2	470	422	432	172	70	90	190	90	4-M24	20	370
DN500	600	715	44	2	516	490	498	180	80	100	190	90	4-M24	22	480



SIZE	CV	SIZE	CV
DN25	36	DN150	1424
DN32	56	DN200	2176
DN40	94	DN250	3532
DN50	152	DN300	5732
DN65	262	DN350	8245
DN80	358	DN400	10651
DN100	540	DN450	12878
DN125	906	DN500	16343

## SEGMENT BALL VALVE

### Valve Torque (1.3 Safety Factor)

SIZE	PN16 10 BAR PRESSURE METAL SEAT	PN16 10 BAR PRESSURE SOFT SEAT	PN25 20 BAR PRESSURE METAL/SOFT SEAT	PN40 30 BAR PRESSURE METAL/SOFT SEAT	PN63 50 BAR PRESSURE METAL/SOFT SEAT
DN25	20	20	30	70	150
DN32	25	25	36	90	230
DN40	30	30	40	140	270
DN50	35	35	42	150	520
DN65	50	50	62	300	640
DN80	60	80	95	300	640
DN100	80	120	140	420	900
DN125	110	180	220	600	1600
DN150	170	300	360	950	1600
DN200	240	500	590	1500	2700
DN250	430	900	1100	2300	4700
DN300	600	1400	1500	3500	7000
DN350	1200	2000	2500	6200	9300
DN400	1800	3200	4000	7200	13000
DN450	3000	4500	5600	11000	17300
DN500	4600	6500	8200	12500	22000

SIZE	150LB 10 BAR PRESSURE METAL SEAT	150LB 10 BAR PRESSURE SOFT SEAT	150LB 20 BAR PRESSURE METAL/SOFT SEAT	300LB 35 BAR PRESSURE METAL/SOFT SEAT	600LB 70 BAR PRESSURE METAL/SOFT SEAT
DN25	20	20	30	85	210
DN32	25	25	36	105	320
DN40	30	30	40	180	380
DN50	35	35	42	190	730
DN65	50	50	62	380	930
DN80	60	80	95	380	1000
DN100	80	120	140	530	1000
DN125	110	180	220	720	2200
DN150	170	300	360	1180	2500
DN200	240	500	590	1750	3800
DN250	430	900	1100	2800	6500
DN300	600	1400	1500	4000	10000
DN350	1200	2000	2500	7800	13100
DN400	1800	3200	4000	9000	18000
DN450	3000	4500	5600	13700	24000
DN500	4600	6500	8200	15500	31000

### Codes

NO	MATERIAL NO	MATERIAL DESCRIPTION
1	V-IS2P-04-04F025-4V-G1A-0	Segment Ball Valve AISI304 Stainless PN16 Flanges DN25 V-PORT Ball Metal Seal-B ISO5211 Direct Compliant Without Handle
2	V-IS2P-04-04F032-4V-G1A-0	Segment Ball Valve AISI304 Stainless PN16 Flanges DN32 V-PORT Ball Metal Seal-B ISO5211 Direct Compliant Without Handle
3	V-IS2P-04-04F040-4V-G1A-0	Segment Ball Valve AISI304 Stainless PN16 Flanges DN40 V-PORT Ball Metal Seal-B ISO5211 Direct Compliant Without Handle
4	V-IS2P-04-04F050-4V-G1A-0	Segment Ball Valve AISI304 Stainless PN16 Flanges DN50 V-PORT Ball Metal Seal-B ISO5211 Direct Compliant Without Handle
5	V-IS2P-04-04F065-4V-G1A-0	Segment Ball Valve AISI304 Stainless PN16 Flanges DN65 V-PORT Ball Metal Seal-B ISO5211 Direct Compliant Without Handle
6	V-IS2P-04-04F080-4V-G1A-0	Segment Ball Valve AISI304 Stainless PN16 Flanges DN80 V-PORT Ball Metal Seal-B ISO5211 Direct Compliant Without Handle