

## KGV SERIES LONG NECK WITH Stainless Steel Body

KGV Series; stainless steel body, long neck cryogenic globe valve

Suitable for liquefied gases such as nitrogen, oxygen and LNG etc.

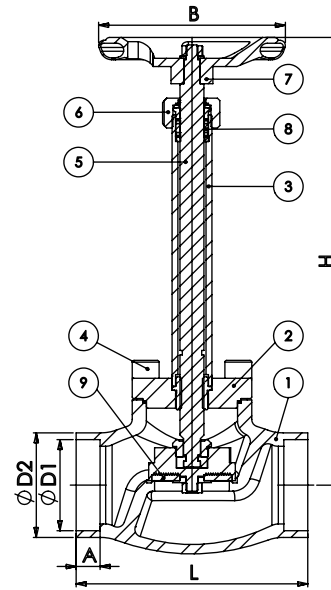
- Seal tightness can be adjusted with press nut.
- Neck height dimension can be manufactured upon request.
- Parts in contact with the fluid have passivation covering to increase corrosion resistance.
- Dimensions given in the table below for socket welded valve connection. In addition, it can be manufactured as butt welded, threaded and flanged upon request.
- Operating Temperature : min : -196°C / -321°F (77K)  
max: +120°C / +248°F (393K)

NO	NAME	AISI 304
1	BODY	AISI 304
2	BONNET	AISI 316
3	MILE PIPE	A2-70 Quality Metric Bolts
4	BOLT	AISI 304
5	STEM	AISI 304
6	PRESS NUT	100/125 mm Pressed Steel
7	HANDWHEEL	PTFE and Graffite PTFE
8	SEAL GROUP	PTFE
9	ORIFIS SEAL	



2/2 WAY GLOBE  
VALVE

PN50



KGV Series	DN [mm]	Size	Pressure Value	KV [t/min]	D2 [mm]	D1 [mm]	A [mm]	L [mm]	H [mm]	B [mm]
KGV.015.00.00.280	15	1/2"	PN50	71	30	22	10	85	280	100
KGV.020.00.00.280	20	3/4"		111	33	27	13	100	280	100
KGV.025.00.00.280	25	1"		191	42	34	13	115	285	100
KGV.032.00.00.280	32	1 1/4"		233	49	39	13	115	300	125
KGV.040.00.00.280	40	1 1/2"		376	57	49	13	130	300	125
KGV.050.00.00.280	50	2"		618	70	61	16	155	300	125