

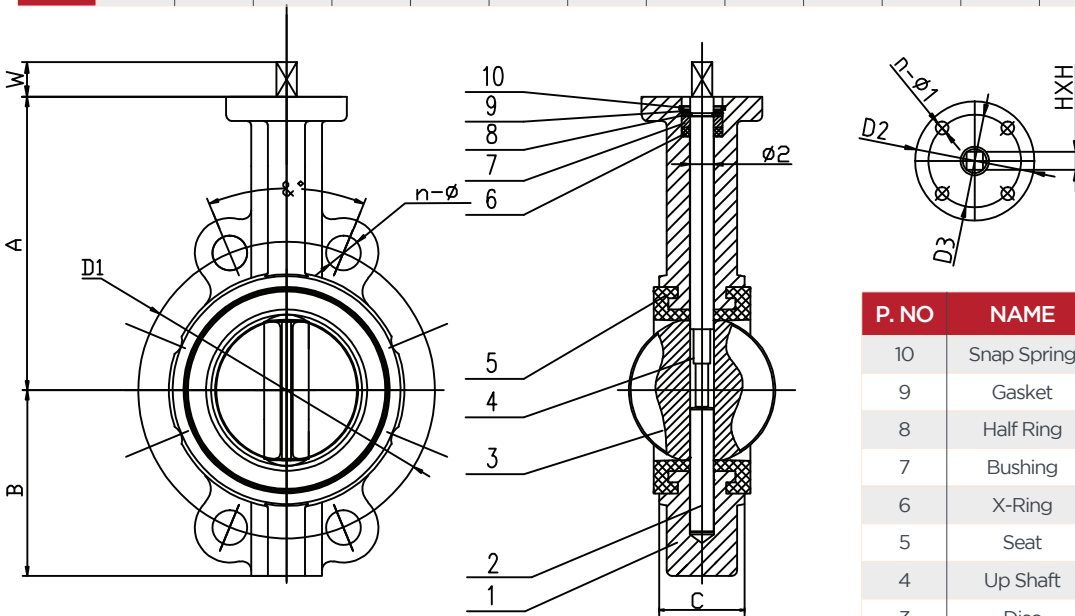
WAFER BUTTERFLY VALVE

Technical Properties

Test Pressure	CWP :10/16 bar	Shell	Seal
	Hydrostatic	15/24 bar	11/17.6 bar
	Air		
Standard	Design	EN 593	
	Inspection & Test	EN 12266-1	
	End Standard	EN 1092 - 2 PN10/PN 16	
	Face to Face	EN 558-1	



DN	A	B	C	Ø 2	ISO 5211	D2	D3	n-Ø1	PN 10			PN 16			HXH	W	Weight (kg)
									D1	n-Ø	&°	D1	n-Ø	&°			
Ø 50	140	70	43	12.6	F05	65	50	4-7	125	4-19	90	125	4-19	90	9x9	13	2.32
Ø 65	150	80	46	12.6	F05	65	50	4-7	145	4-19	90	145	4-19	90	9x9	13	2.92
Ø 80	158	100	46	12.6	F07	90	70	4-10	160	8-19	45	160	8-19	45	9x9	13	3.84
Ø 100	176	108	52	15.77	F07	90	70	4-10	180	8-19	45	180	8-19	45	11x11	14	5.54
Ø 125	190	135	56	18.92	F07	90	70	4-10	210	8-19	45	210	8-19	45	14x14	15	7.74
Ø 150	212	147	56	18.92	F07	90	70	4-10	240	8-23	45	240	8-23	45	14x14	15	8.26
Ø 200	236	179	60	22.1	F10	125	102	4-12	295	8-23	45	295	12-23	30	17x17	19	15.2
Ø 250	265	208	68	28.45	F10	125	102	4-12	350	12-23	30	355	12-28	30	22x22	24	21.6
Ø 300	305	242	78	31.6	F10	125	102	4-12	400	12-23	30	410	12-28	30	22x22	24	29.8



P. NO	NAME	MATERIAL	QTY
10	Snap Spring	SK7	1
9	Gasket	Stainless Steel	1
8	Half Ring	Stainless Steel	1
7	Bushing	FRP	1
6	X-Ring	NBR	1
5	Seat	EPDM/NBR	1
4	Up Shaft	SS410/416/420/431	1
3	Disc	D1/CF8/CF8M/AL-Bronze	1
2	Down Shaft	SS410/416/420/431	1
1	Body	C1/D1	1