

WAFER CHECK VALVE

Disc

Stainless stel AISI304/316 or Carbon C 1040/St 37.2 or Bronz

Body Material

Stainless stel AISI304/316 or Carbon C 1040/St 37.2 or Bronz

Tightness Element

Epdm, Nbr, Viton, PTFE

Working Temperature

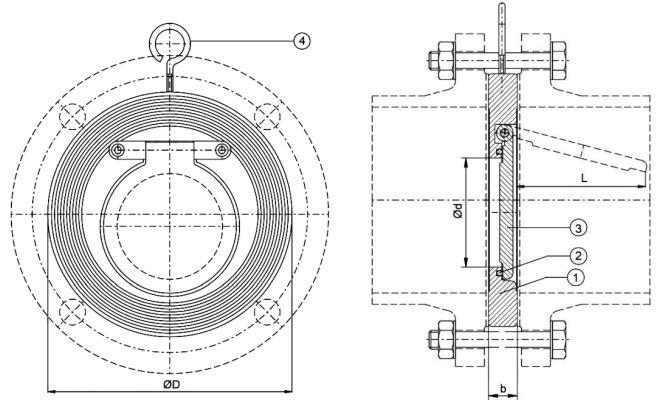
-20°C/ +180°C (PTFE -30°C / +250°C)

Flange

DIN 2501



No	Part Name	Material
1	Body	AISI304/316 - Karbon 1040/St37.2 - Bronz
2	Body Seal	EPDM - Viton - O-Ring - PTFE
3	Ring Bolt	AISI304/316 - Karbon 1040/St37.2 - Bronz
4	Tasma Halkası	St 37.2



SIZE	Ød	L	b	ØD					
				RATED PRESSURE					
				PN6	PN10	PN16	PN25	ANSI 150	
25	1"	14	-	14	65	74	74	74	63
32	1 ¼"	17	-	14	76	84	84	84	73
40	1 ½"	22	30	14	88	94	94	94	86
50	2"	32	35	14	98	109	109	109	105
65	2 ½"	40	48	14	118	129	129	129	124
80	3"	54	60	14	134	144	144	144	137
100	4"	70	78	18	154	164	164	170	175
125	5"	92	98	18	184	195	195	198	195
150	6"	112	117	20	209	220	220	228	220
200	8"	154	160	22	264	275	275	285	279
250	10"	200	200	26	319	330	330	343	340
300	12"	240	235	32	375	380	385	403	410
350	14"	270	258	38	425	438	444	460	448
400	16"	310	300	44	475	490	495	517	514
450	18"	360	331	50	530	540	557	567	548
500	20"	405	368	56	580	596	617	624	605
600	24"	486	435	62	680	695	734	731	715
700	26"	-	-	62	781	802	810	831	-