

## SPRING RETURN CHECK VALVE Carbon Steel, Threaded

Carbon Steel      PN16                      PN40  
V-MCS-03-04D    V-MCS-03-07D

### Design

Size                      : Varnasan  
Connection          : BSP (DIN 259), NPT (ASME B1.20.1)

### Technical Features

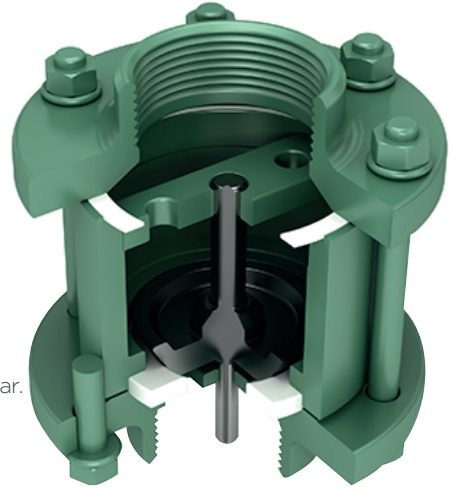
Working Pressure    : PN16, PN40  
Working Temperature : -30°C / +180°C  
Usage                    : In practice, the minimum installation pressure should be 3-4 bar.  
Not suitable for vacuum lines.

### Certificate

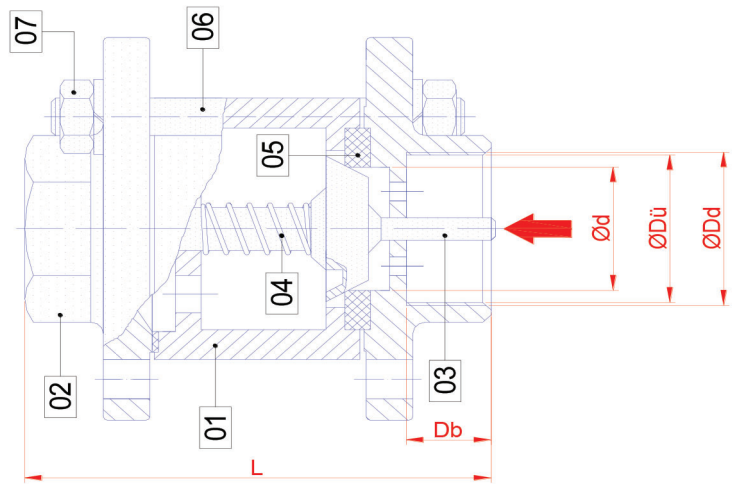
CE0408, TS EN 10204 3.1, ISO 9001:2015, SIL3

### Application

Hot water, cold water, compressed air, fuel oil, ceramic etc.



NO	PART NAME	CARBON STEEL VALVE
1	BODY	CARBON STEEL
2	CAP	CARBON STEEL
3	DISC	AISI 430
4	PRESSURE SPRING	C SPRING STEEL
5	SEALING	PTFE
6	STUD	STEEL
7	NUT	STEEL



TYPE	SIZE	CONNECTION SIZE PN 16					CONNECTION SIZE PN 40				
		DN	L	d	Dü	Dd	Db	d	Dü	Dd	Db
CHECK VALVE-THREADED	DN 15	75	15	18,63	20,96	15	15	18,63	20,96	15	
	DN 20	80	20	24,16	26,44	16	20	24,16	26,44	16	
	DN 25	90	25	30,29	33,25	19	25	30,29	33,25	19	
	DN 32	110	32	38,95	41,91	21	32	38,95	41,91	21	
	DN 40	120	40	44,85	47,81	21	40	44,85	47,81	21	
	DN 50	140	50	56,66	59,62	25	50	56,66	59,62	25	