

SPRING RETURN CHECK VALVE Stainless Steel, Flanged

	PN16	PN40
AISI 304	V-MCS-04-04F	V-MCS-04-07F
AISI 316	V-MCS-05-04F	V-MCS-05-07F

Design

Size	: DN15 - DN125 EN558-1 / F1 DN150 - DN200 EN558-1 / F5
Connection	: EN 1092-1

Technical Features

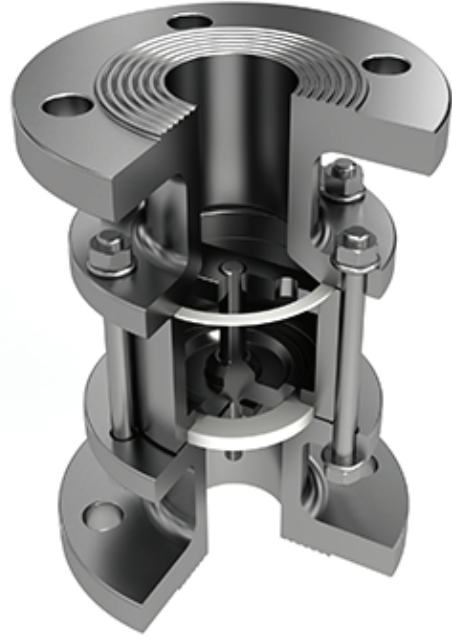
Working Pressure	: PN16, PN40
Working Temperature	: -30°C / +180°C
Usage	: Çek valf min açılıs basıncı 150 mbar.

Certificate

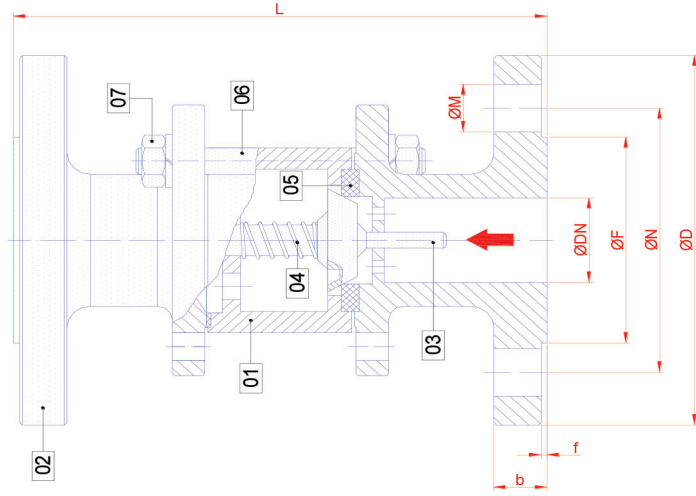
CE0408, TS EN 10204 3.1, ISO 9001:2015, SIL3

Application

Corrosive fluids (acids, bases), pharmaceutical raw materials, food, chemical industry, plastic



NO	PART NAME	STAINLESS STEEL VALVE	
1	BODY	AISI 304	AISI 316
2	CAP	AISI 304	AISI 316
3	DISC	AISI 304	AISI 316
4	PRESSURE SPRING	AISI 304	AISI 316
5	SEALING	PTFE	
6	STUD	STAINLESS	
7	NUT	STAINLESS	



TYPE	SIZE	CONNECTION SIZE PN16							CONNECTION SIZE PN40					
		DN	L	D	b	N	M	F	MN	D	b	N	M	F
CHECK VALVE-THREADED	DN 15	130	95	14	65	14	45	4	95	16	65	14	45	4
	DN 20	150	105	16	75	14	58	4	105	18	75	14	58	4
	DN 25	160	115	16	85	14	68	4	115	18	85	14	68	4
	DN 32	180	140	16	100	18	78	4	140	18	100	18	78	4
	DN 40	200	150	16	110	18	88	4	150	18	110	18	88	4
	DN 50	230	165	18	125	18	102	4	165	20	125	18	102	4
	DN 65	290	185	18	145	18	122	4	185	22	145	18	122	8
	DN 80	310	200	20	160	18	138	8	200	24	160	18	138	8
	DN 100	350	220	20	180	18	158	8	235	24	190	22	158	8
	DN 125	400	240	20	200	18	188	8	270	24	220	26	188	8
	DN 150	480	260	20	220	18	212	8	305	24	250	30	212	8
	DN 200	600	280	20	240	18	268	8	340	24	280	34	268	8